



Team Magic Model Industrial Co., Ltd.
No. 145-2, 38th Road, Taichung Industrial Park, Taichung, Taiwan 407
E-mail: service@teammagic.com.tw
Web: www.teammagic.com.tw
Tel: 886-4-23552606 Fax: 886-4-23552946

MADE IN TAIWAN



Instruction & Setup Manual



Thank you for choosing the Team Magic E4RSII. Before you start building the E4RSII, we suggest you read through the instruction manual first. Be sure to check all assembly and performance tips before you start. We hope you enjoy the fine building processes.

General Building Tips:

- ▶ Read the instruction manual before building.
- ▶ Clear a work area and try to work on a light color towel to avoid missing dropped parts.
- ▶ Don't forge the thread lock. Be certain to use thread-lock on all the machine screws that thread into metal. Put it on the screws that are secured with locknuts and the setscrews that secure the linkage stops, too. Don't skimp on the thread-lock or you'll be searching in the dirt for screws that vibrated loose.
- ▶ Don't over-tighten fasteners. Many assembly problems are caused by over-tightening screws or nuts. Don't use too large a grip. Please go slowly and feel the resistance build. Just snug it up.
- ▶ As you put more time and runs on the car, the suspension arms, and basically anything else that moves, can stretch and wear. Though we have a very rigorous quality control program and make every effort to ensure that the parts have the best possible fit when you get them. Unfortunately there is very little, or nothing we can do to prevent these parts from wearing out. When the arms begin to wear you will notice that some slop develops between the carrier or hub and the arms. This slop can be taken out by shimming the arm, hub or carrier. If you take a look at any of the factory driver's cars you will definitely find that they use shims to take up some of the slop that occurs over a period of time. The shims can also be used on the inside of the suspension arms in the same manner. When shimming the parts, care must be taken not to add too many shims. The parts must still move freely without binding.
- ▶ When it doesn't fit, please double check. If an assembly is not going together correctly, then either there really is a bad fit (e.g. a part is damaged or defective) or a mistake in assembly. Always re-read the instructions when there are any problems. If you cannot figure out what's wrong, always ask dealer, distributor or Team Magic. Don't use force beyond what the instructions call for.
- ▶ Using the right tools makes assembly much easier. The instructions below finely indicate you what tools to get to make things easier. We don't want to scare you by saying that all these tools are required, but you will have an easier time if you have them. Borrow them from a friend to check if necessary.
- ▶ The assembly is arranged so that you will open the bag and finish that bag before you go on to the next bag. Sometimes, you will have parts remaining at the end of a bag. These will become part of the following bags.

A Good Dealer Is Extremely Important!!

A good hobby dealer can help you with most assembly problems you might encounter. This is the main reason why you should buy your kits from a good dealer rather than from the cheapest dealer. Bring your problematic parts to the dealer and, most likely, you'll walk away soon thereafter with the problem solved. If you think that you really don't have the mechanical skills to complete the assembly, you may pay your dealer to finish the job for you. We can recommend good dealers to you if you need. Please send us mails for more information. Email: service@teammagic.com.tw



130114
3X6X1mm Washer



126306
3x6mm Steel FH
Screw



150510ST
5x10x4mm Steel
Bearing



116203
E-clip 5



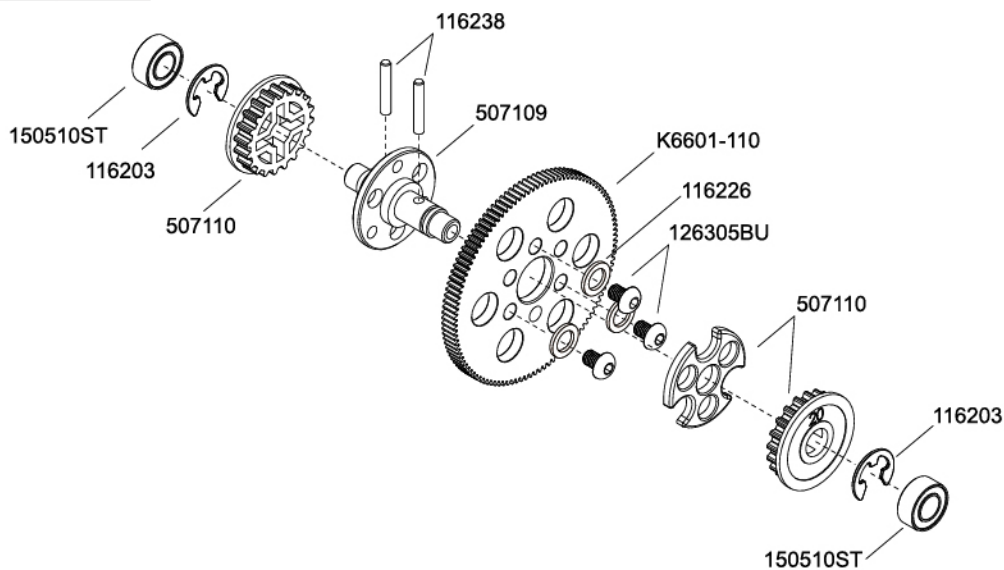
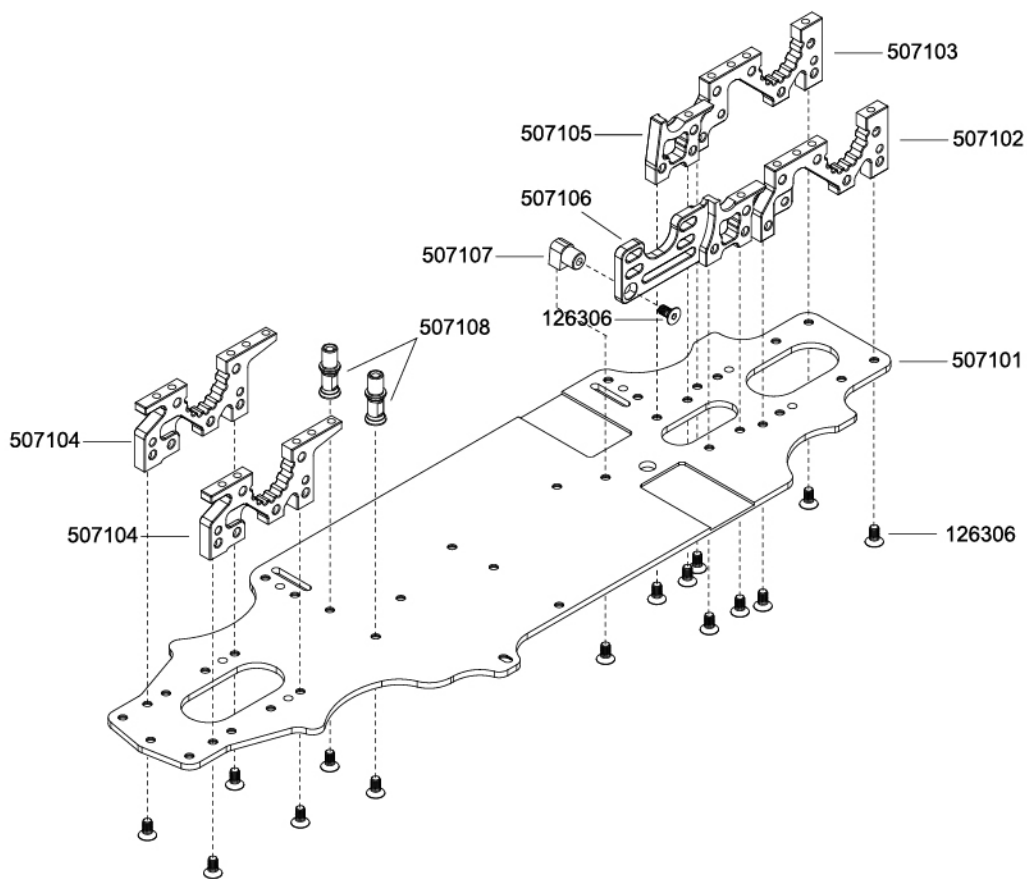
116238
2x12.8mm Pin

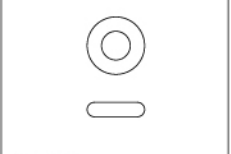


126305BU
M3X4mm BH Screw



116226
3X4.8X0.5mm
Washer

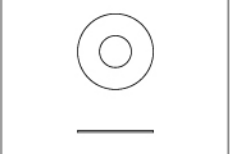




152011
3.8x1.9 O-RING



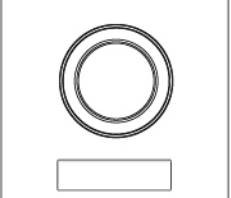
116239
1.5x6.8mm Pin



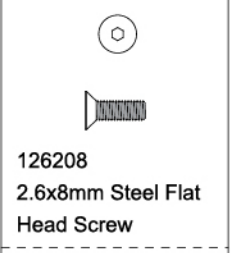
130103
4.2x10x0.2mm Shim



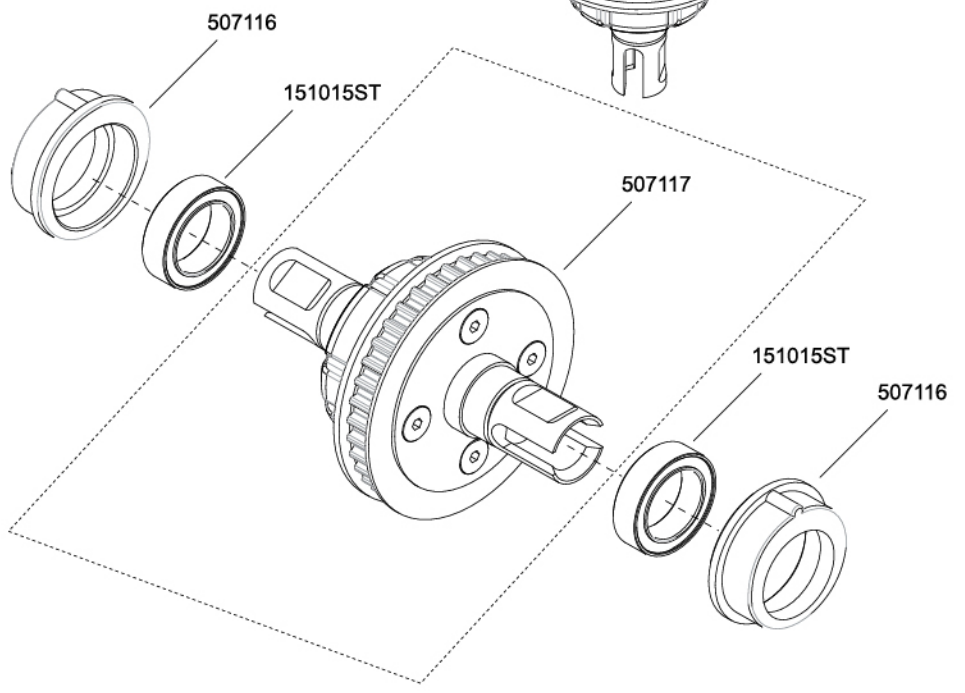
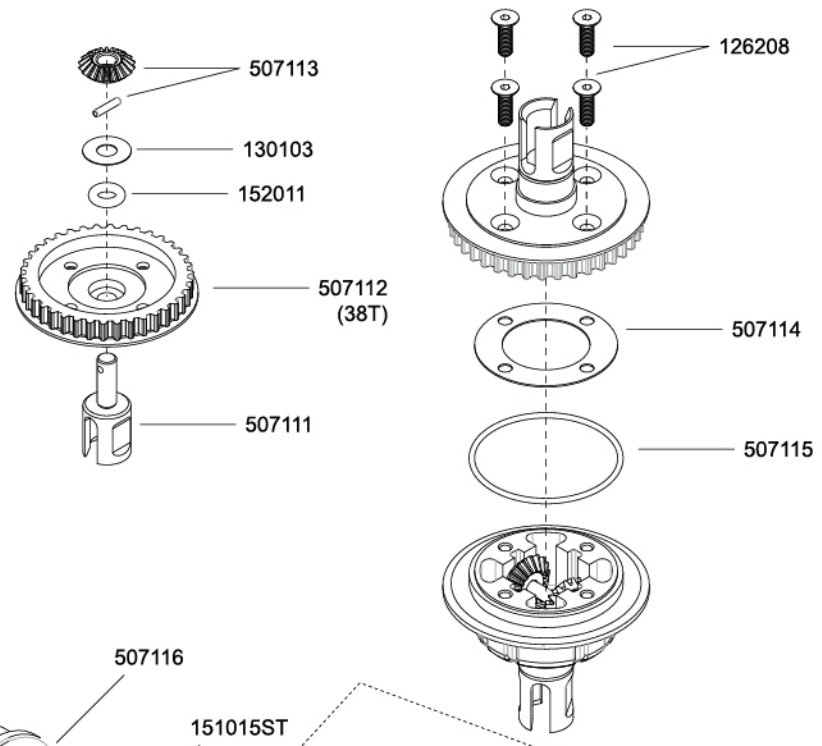
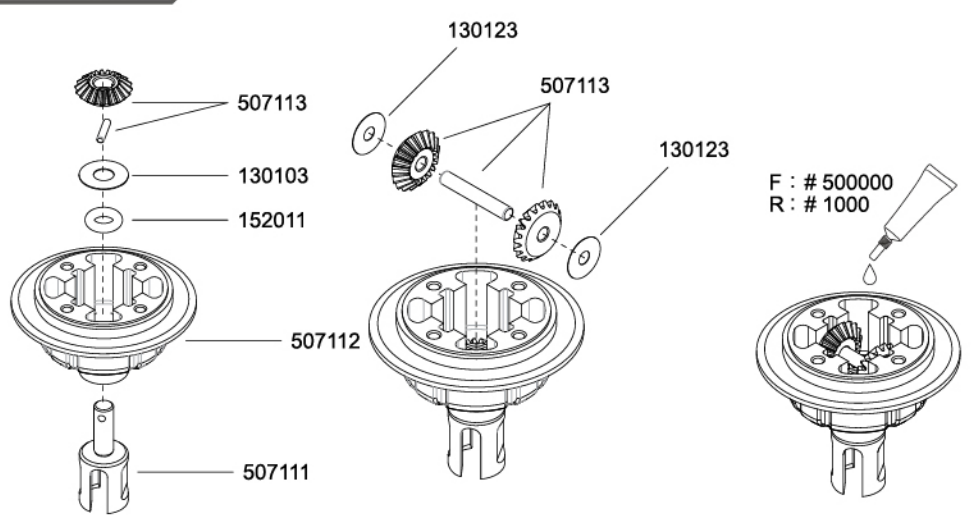
130123
2.6x8x0.1mm Washer



151015ST
10x15x4mm Steel
Bearing



126208
2.6x8mm Steel Flat
Head Screw





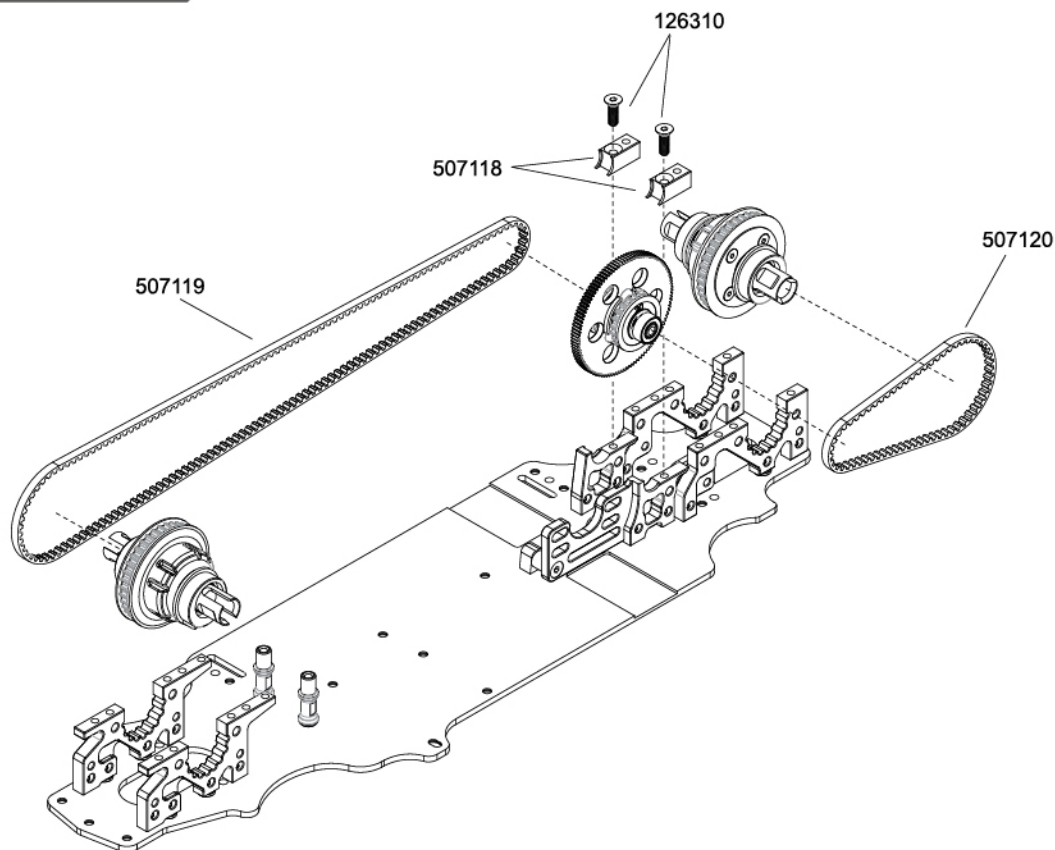
126310
3x10mm Steel F.H.
Screw



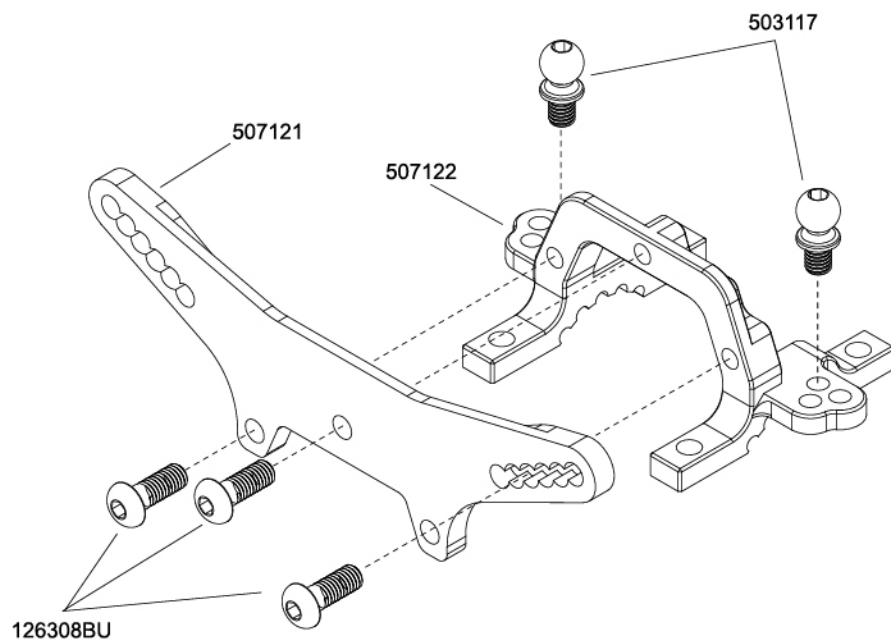
503117
5x4mm Ball Stud



126308BU
3x8mm Steel Button
Head Screw



Front





126308BU
3x8mm Steel Button
Head Screw



126212BU
2X12mm BH Screw



503117
5x4mm Ball Stud



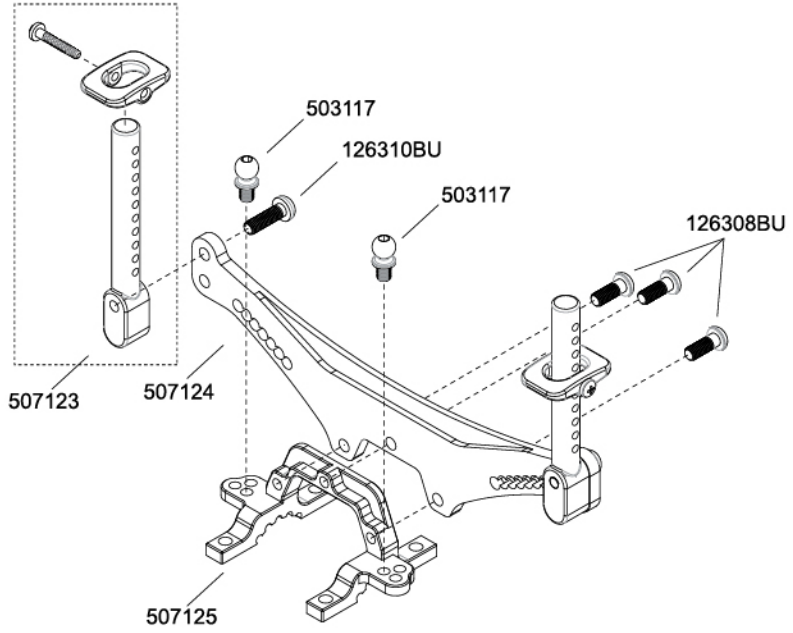
126310BU
3x10mm Button
Head Screw



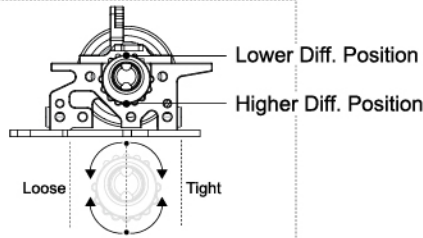
126306BU
3x6mm Steel Button
Head Screw



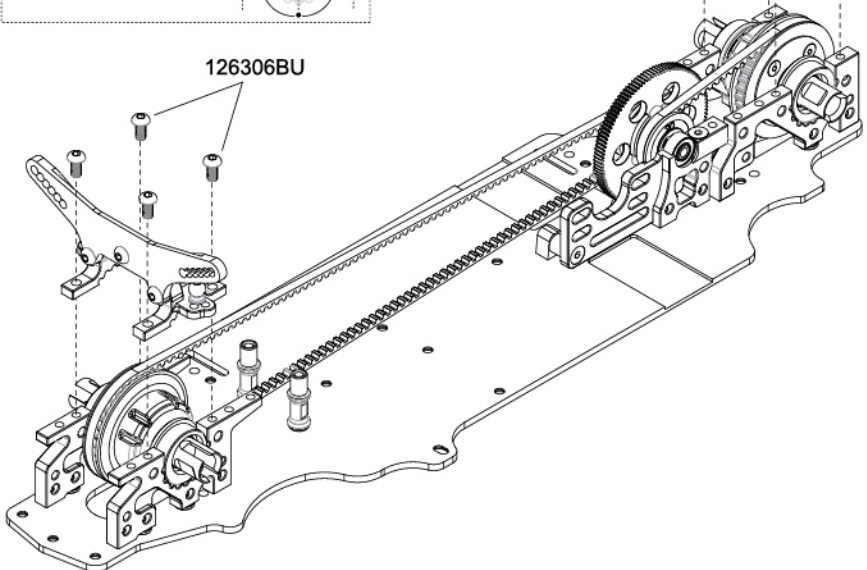
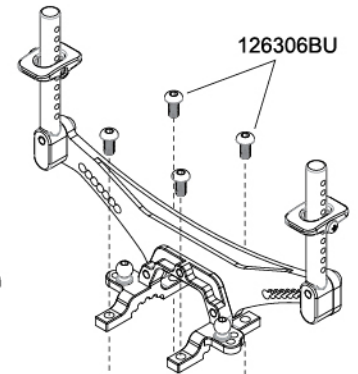
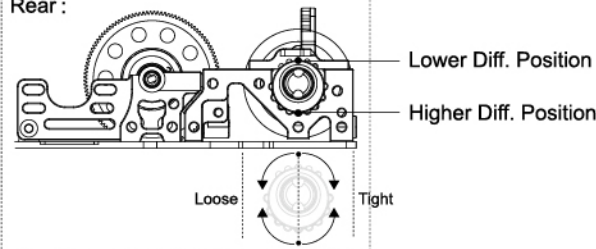
Rear



Front :



Rear :





150508ST
5x8x2.5mm Steel
Bearing



150306ST
3x6x2.5mm Steel
Bearing



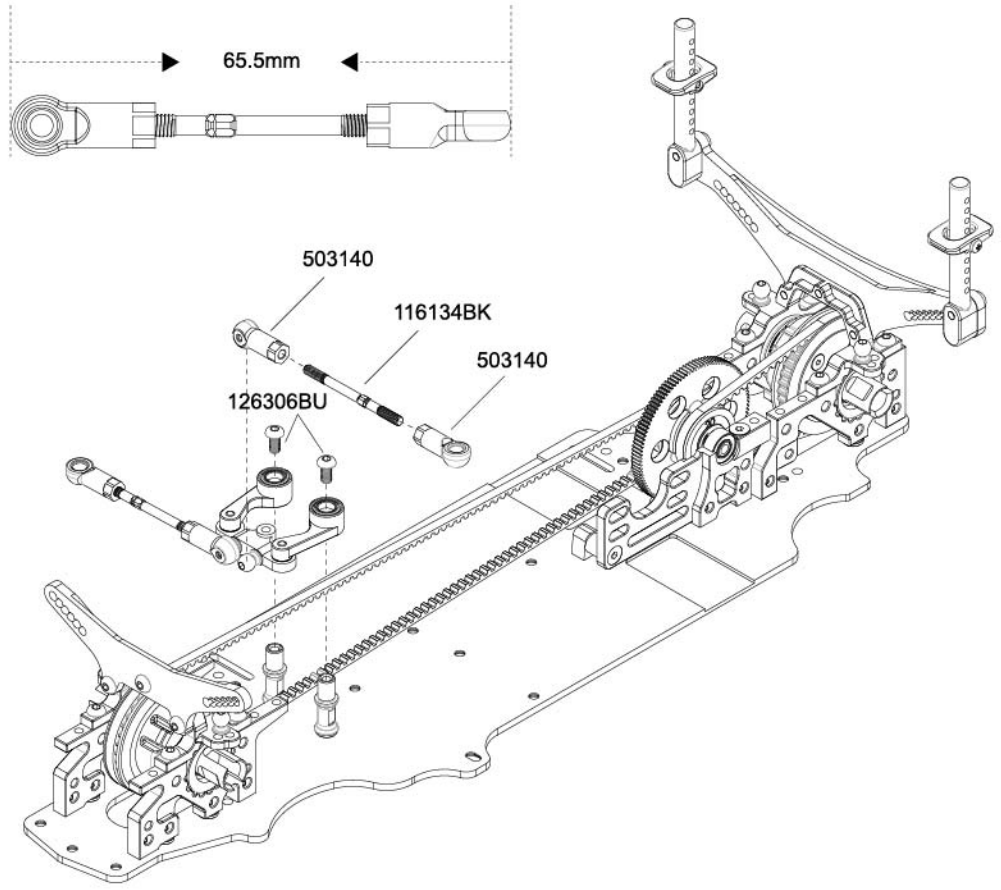
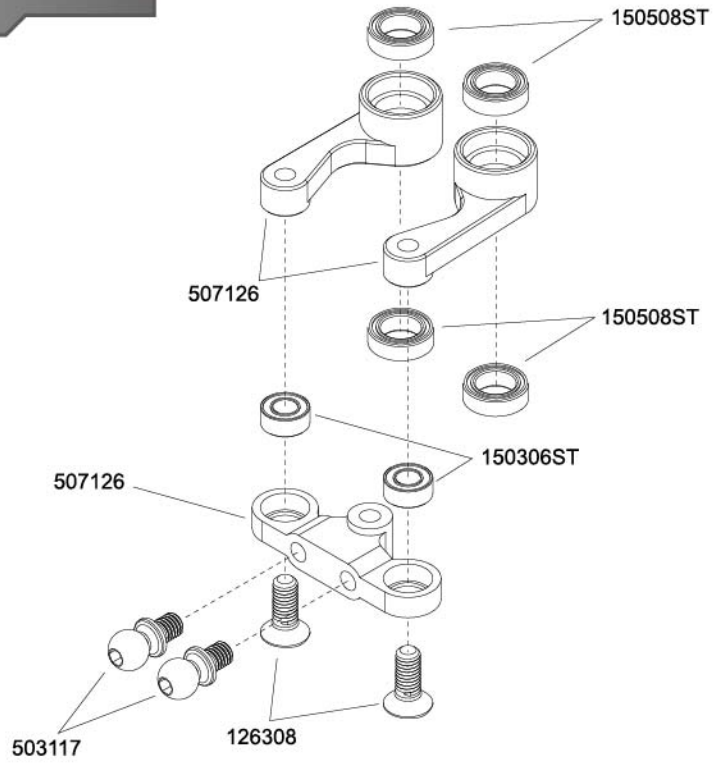
503117
5x4mm Ball Stud



126308
3x8mm Steel F.H.
Screw



126306BU
3x8mm Steel Button
Head Screw





130114
3X6X1mm Washer



126408S
4x8mm Set Screw



126308S
M3X8mm Set



126204BU
2x4mm Steel Button
Head Screw



126316BU
M3X16mm BH Screw

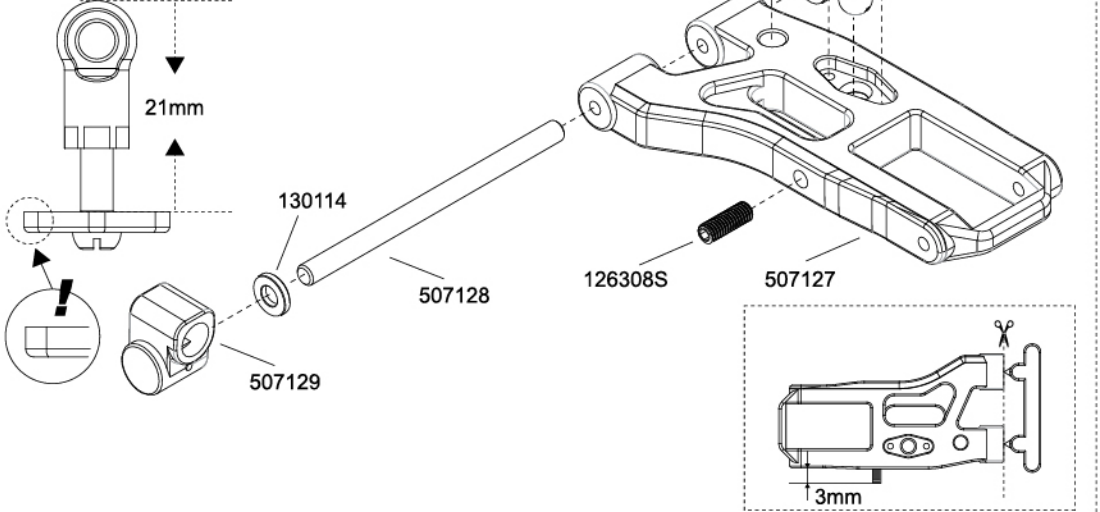
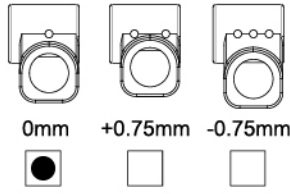


130124
3x7.5x1.5mm Washer

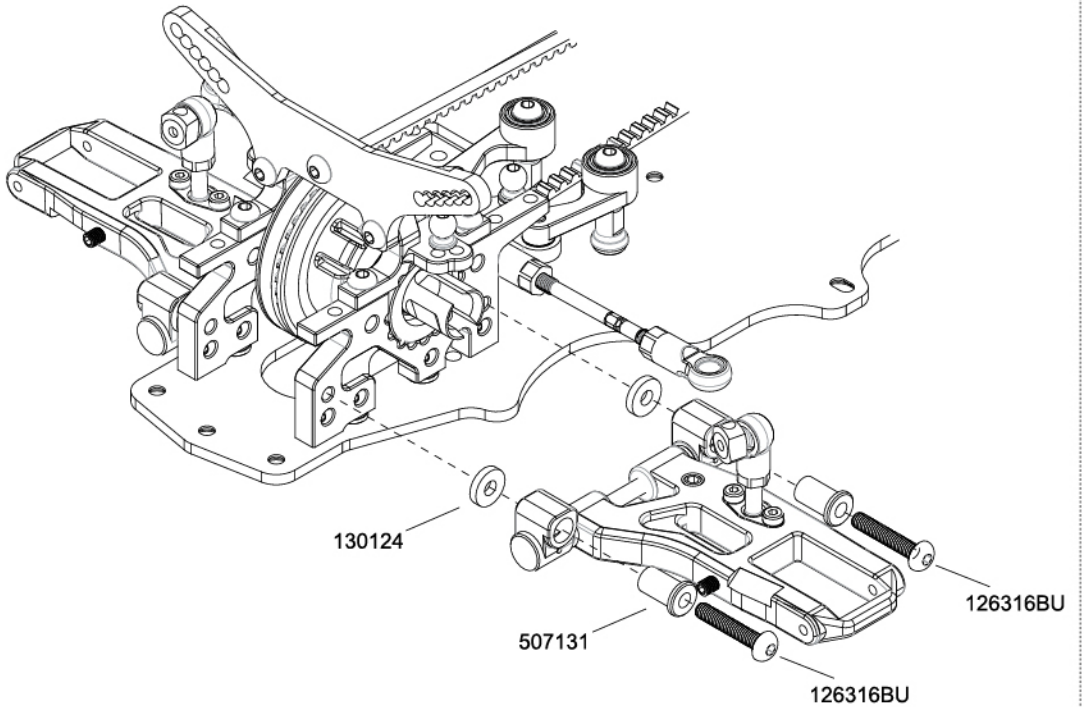


Front

Roll Center Position

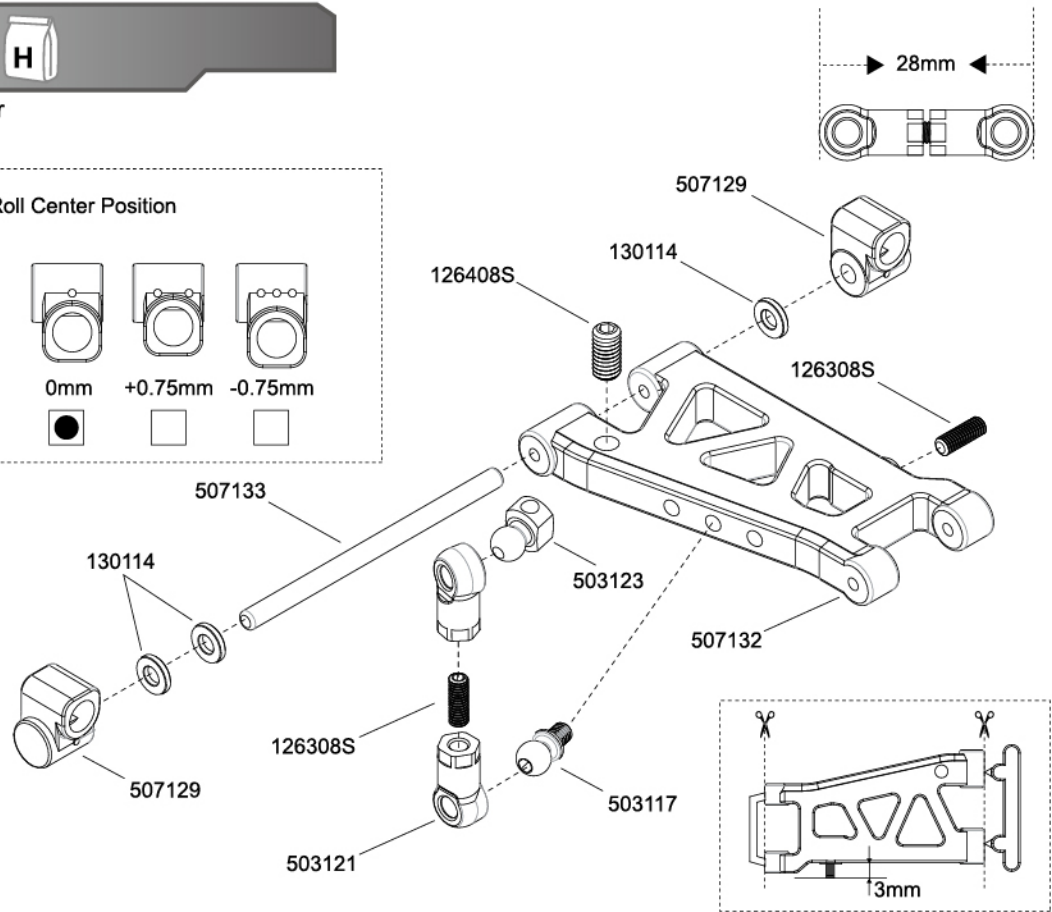
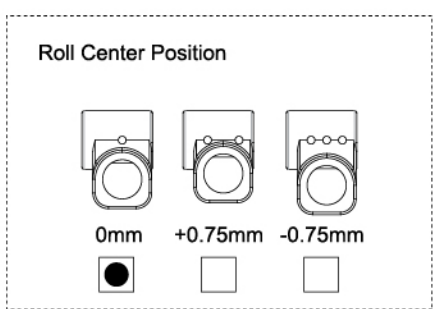


Front

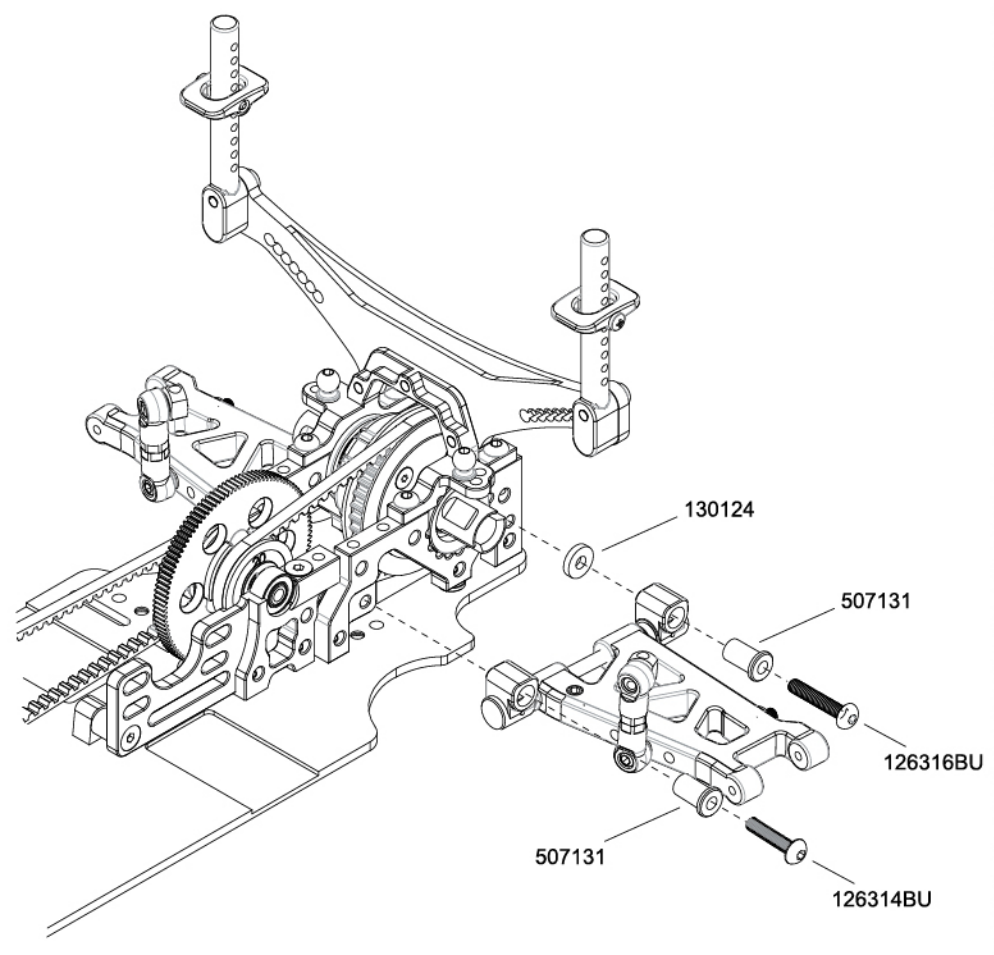




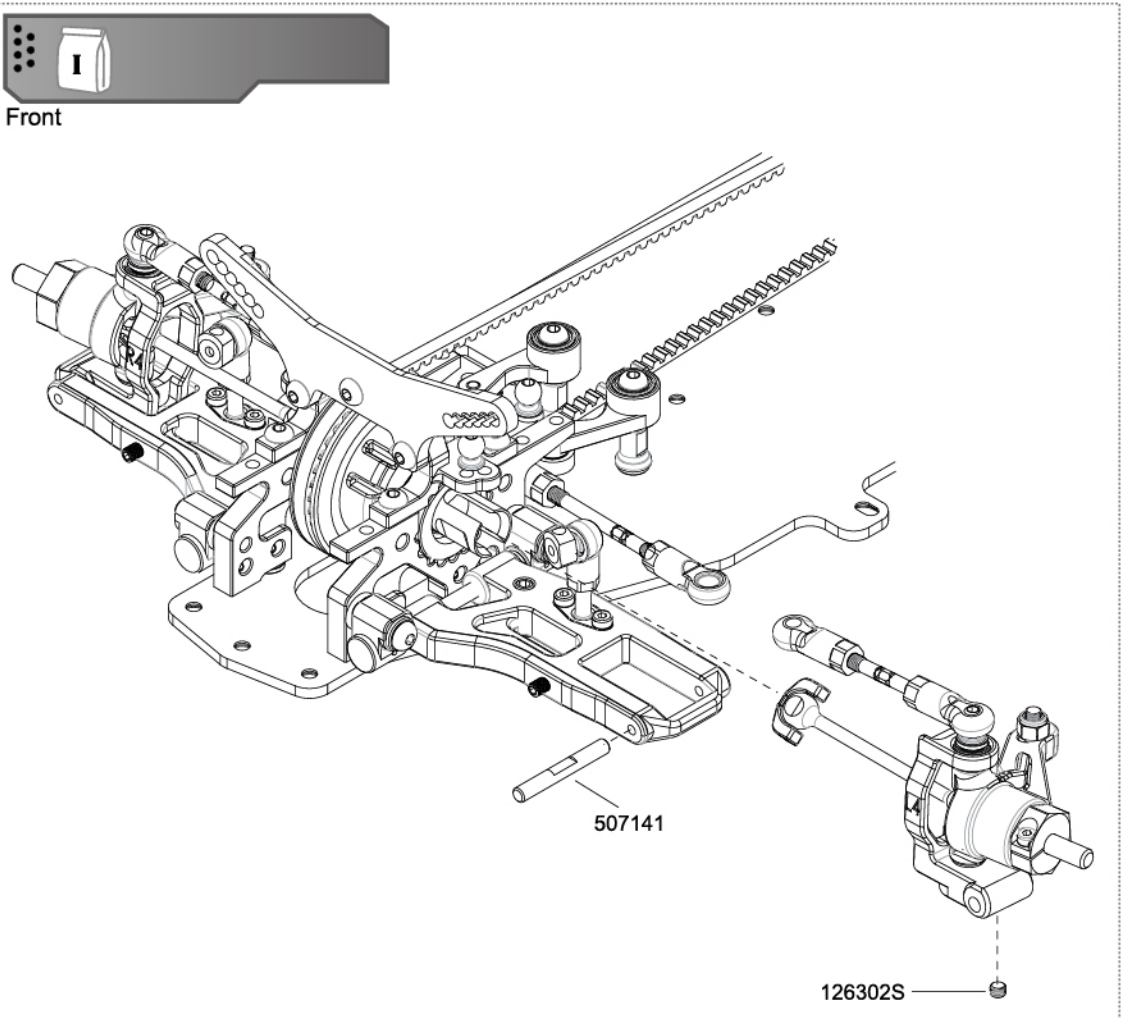
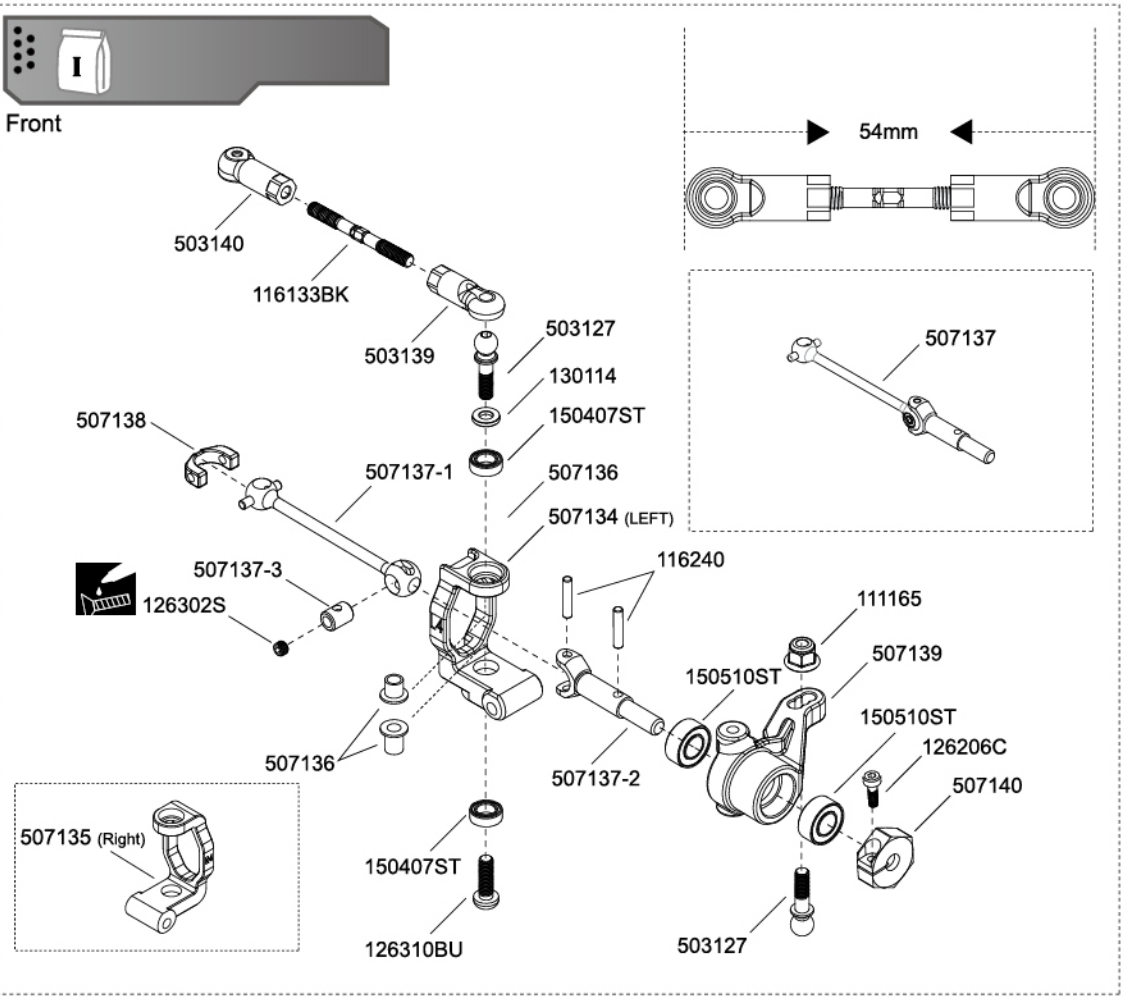
Rear



Rear



- 
130114
3X6X1mm Washer
- 
150510ST
5x10x4mm Steel Bearing
- 
116240
2x9.8mm Pin
- 
126206C
2x6mm Cap Screw
- 
503127
Steering Block
5x10mm Ball Stud
- 
126310BU
3x10mm Button Head Screw
- 
126302S
3x2mm Set Screw
- 
150407ST
4x7x2.5mm Steel Bearing
- 
111165
3mm Flanged Nut





150510ST
5x10x4mm Steel
Bearing



116240
2x9.8mm Pin



126206C
2x6mm Cap Screw



116219
3x6x2mm Alum.
Washer



503127
Steering Block
5x10mm Ball Stud



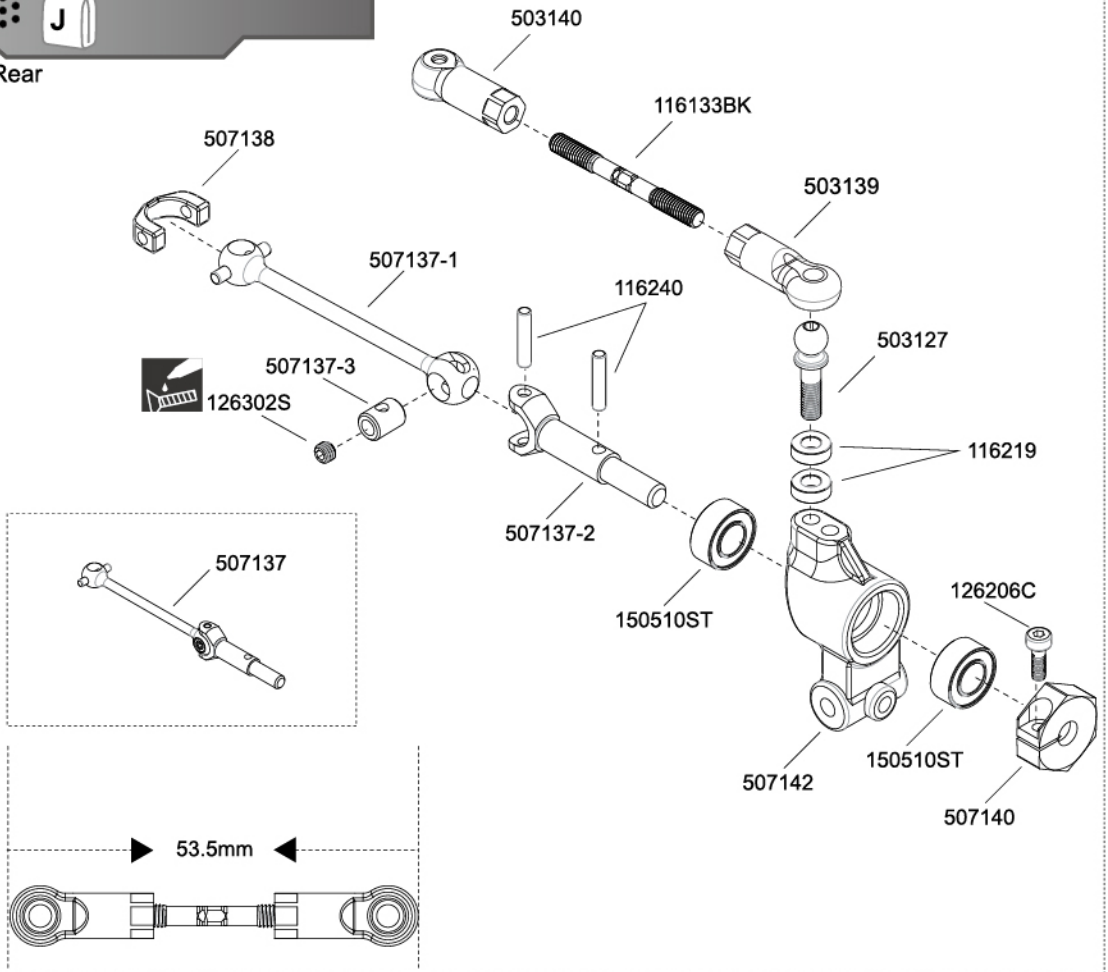
126302S
3x2mm Set Screw



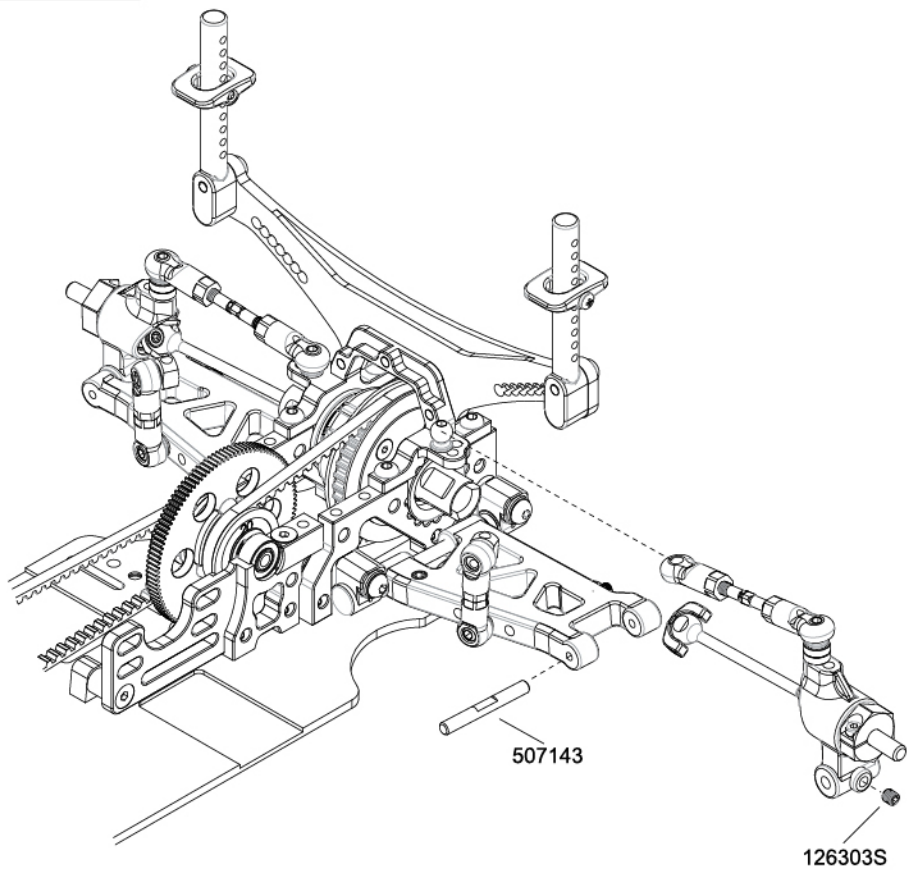
126303S
3x3mm Set Screw



Rear



Rear





126303S
3x3mm Set Screw



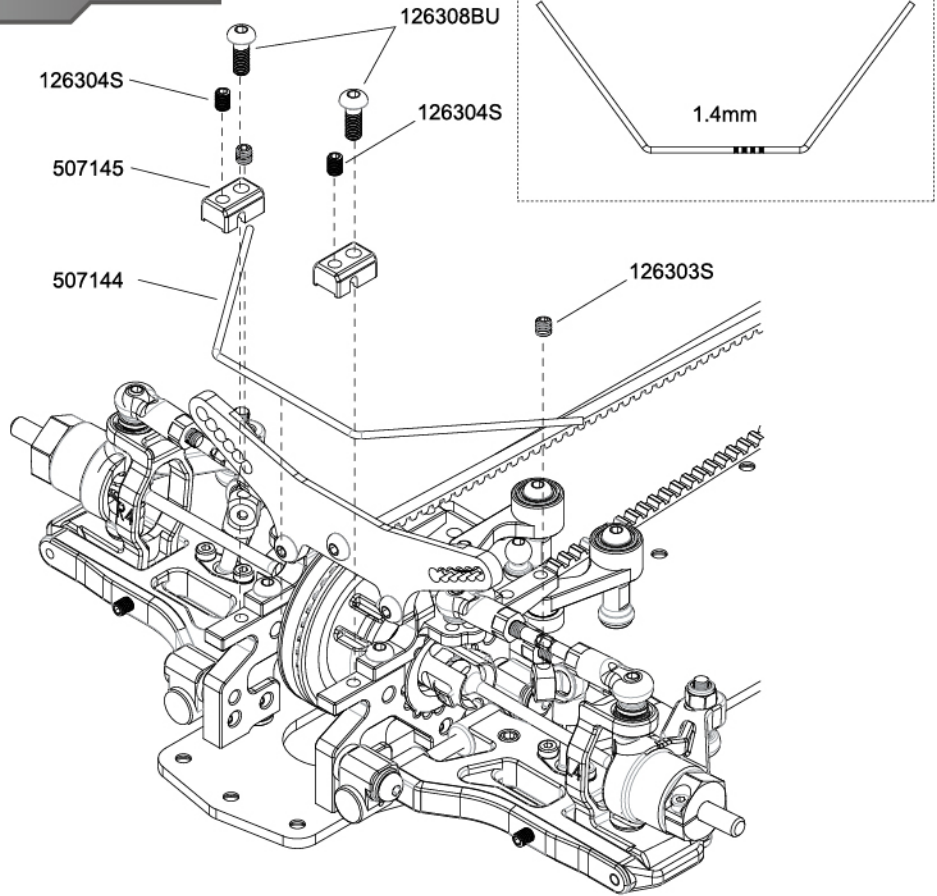
126308BU
3x8mm Steel Button
Head Screw



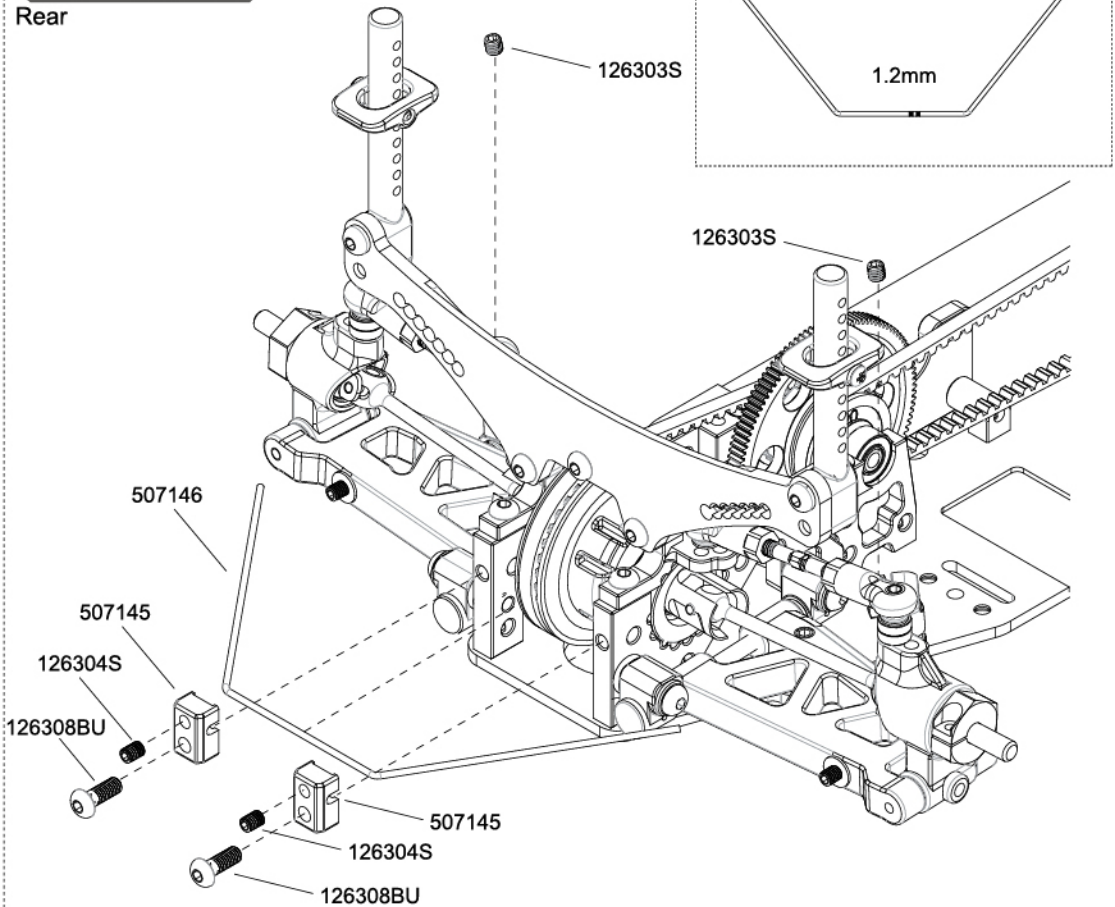
126304S
3x4mm Set Screw



Rear



Rear





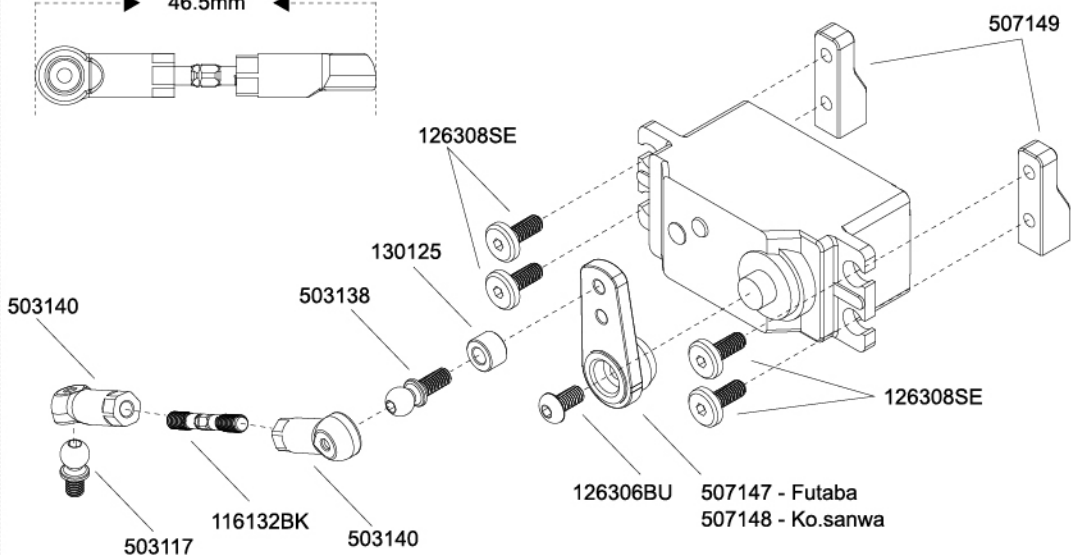
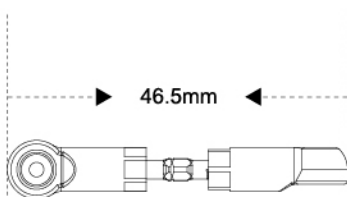
126308SE
3x8mm Steel Flat
Round Servo Mount
Screw



503138
5x7mm Ball Stud



503117
5x4mm Ball Stud



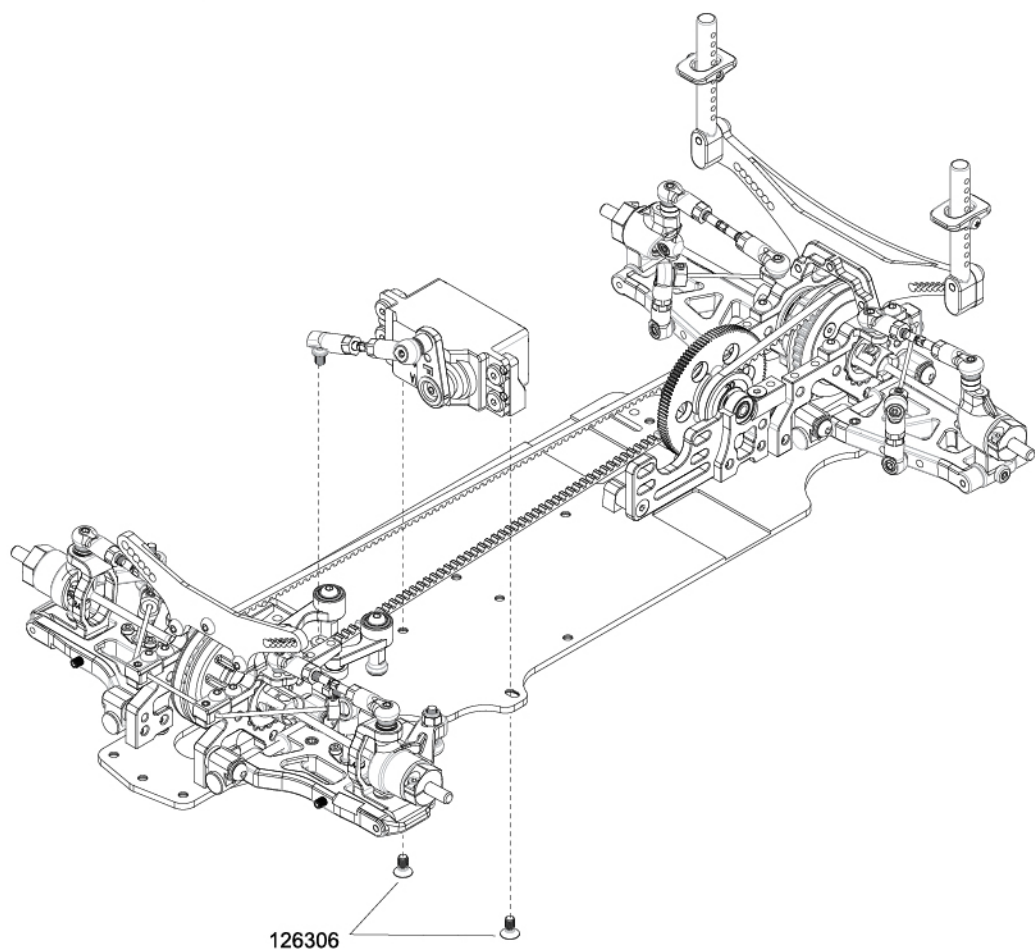
130125
3x6x4mm Alum.
Washer



126306
3x6mm Steel FH
Screw



126306BU
3x8mm Steel Button
Head Screw

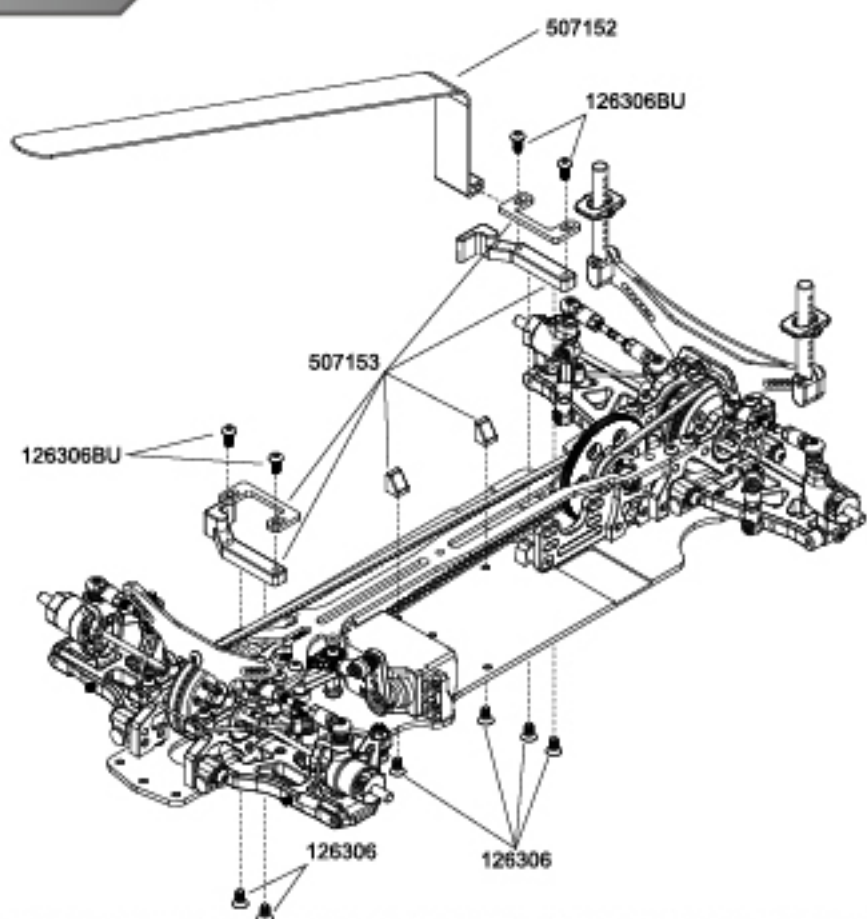
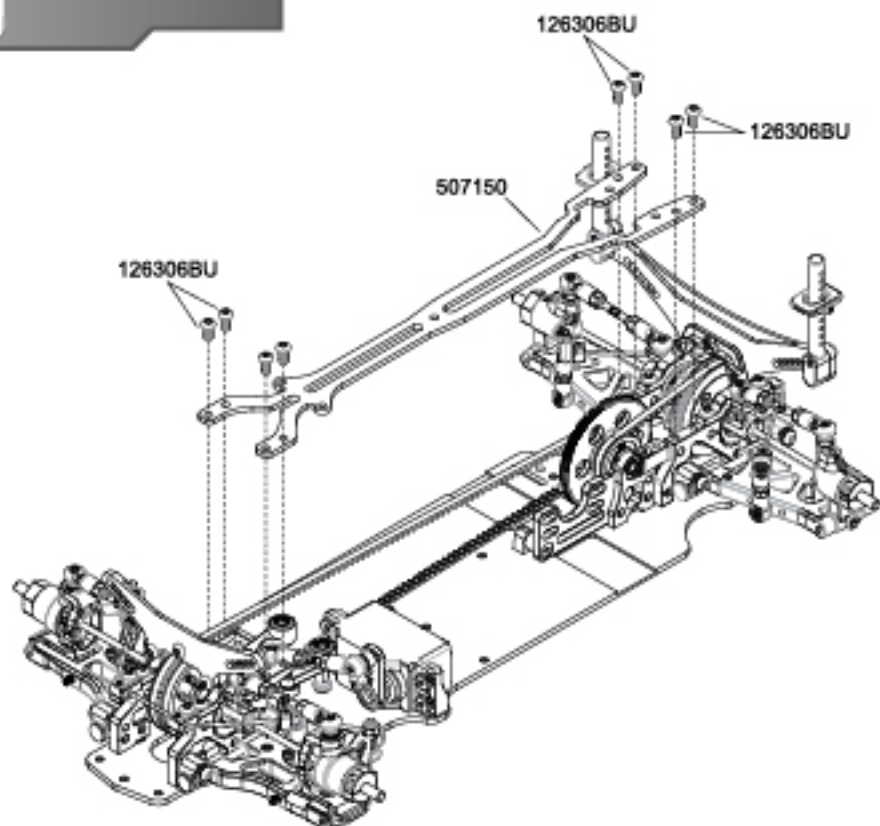




126306BU
3x6mm Steel Button
Head Screw



126306
3x6mm Steel FH
Screw





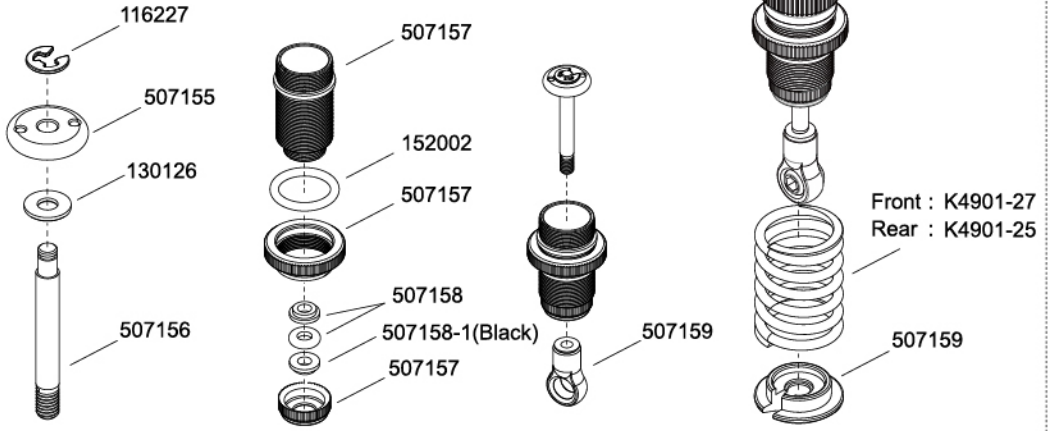
116227
E-clip 2.0



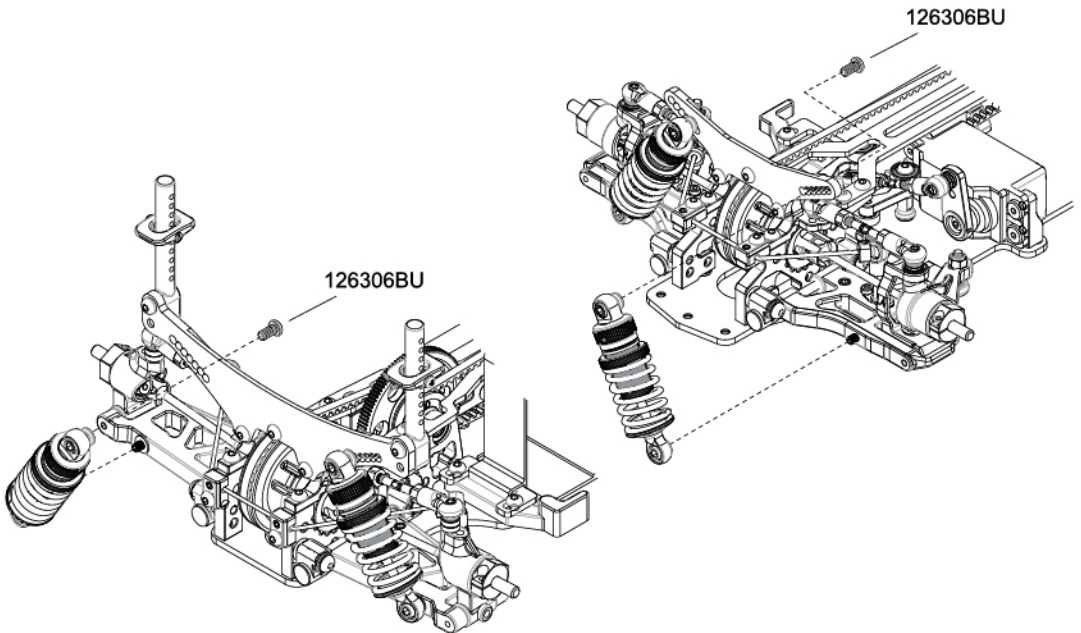
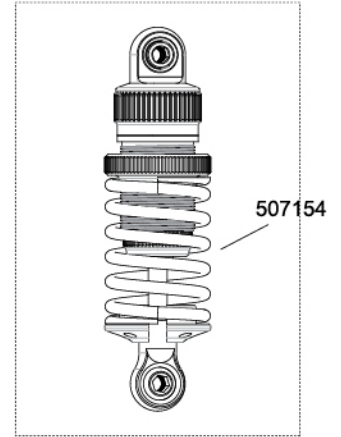
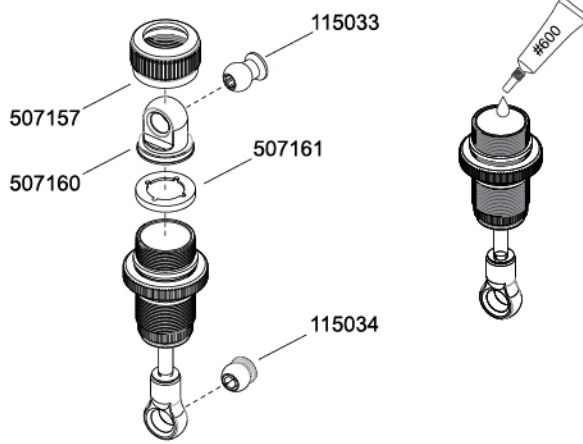
130126
2.6X6X0.7mm
Washer



126306BU
3x6mm Steel Button
Head Screw



Front : K4901-27
Rear : K4901-25



126306BU

126306BU



111007ST
3mm Steel Locknut



126308
3x8mm Steel F.H.
Screw



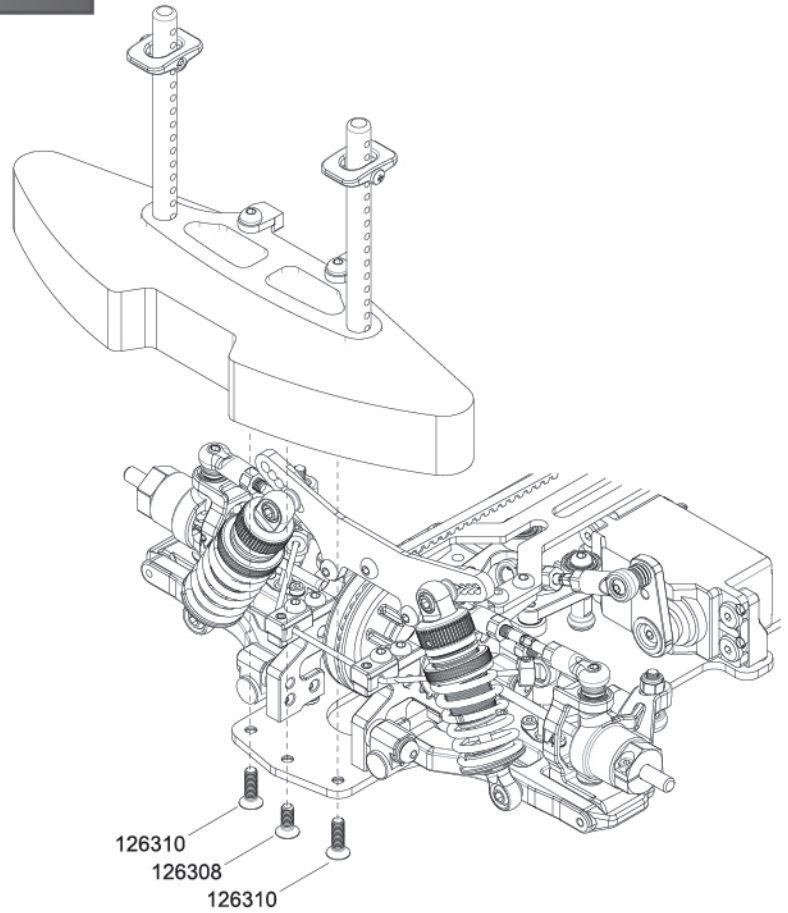
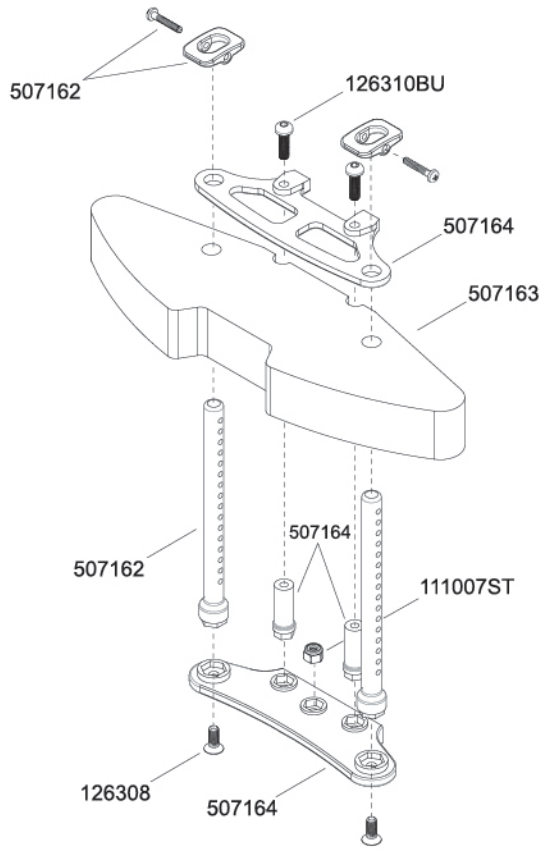
126212BU
2X12mm BH Screw



126310BU
3x10mm Button
Head Screw



126310
3x10mm Steel
F.H. Screw

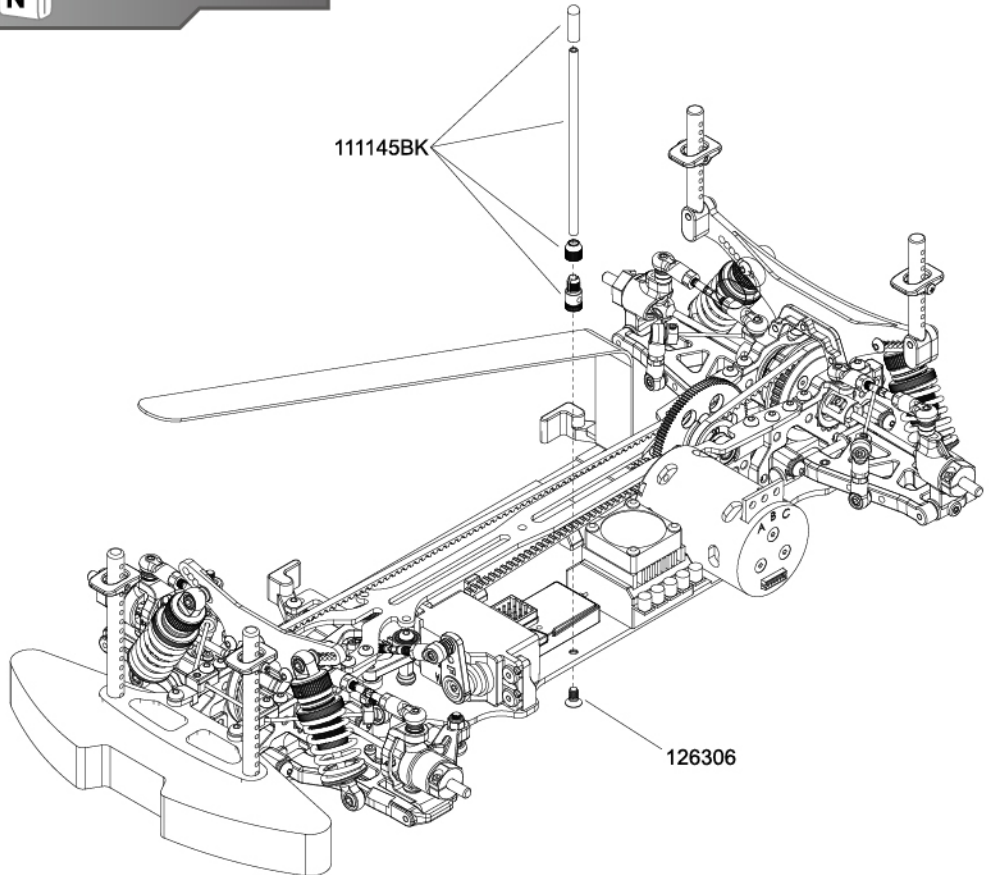
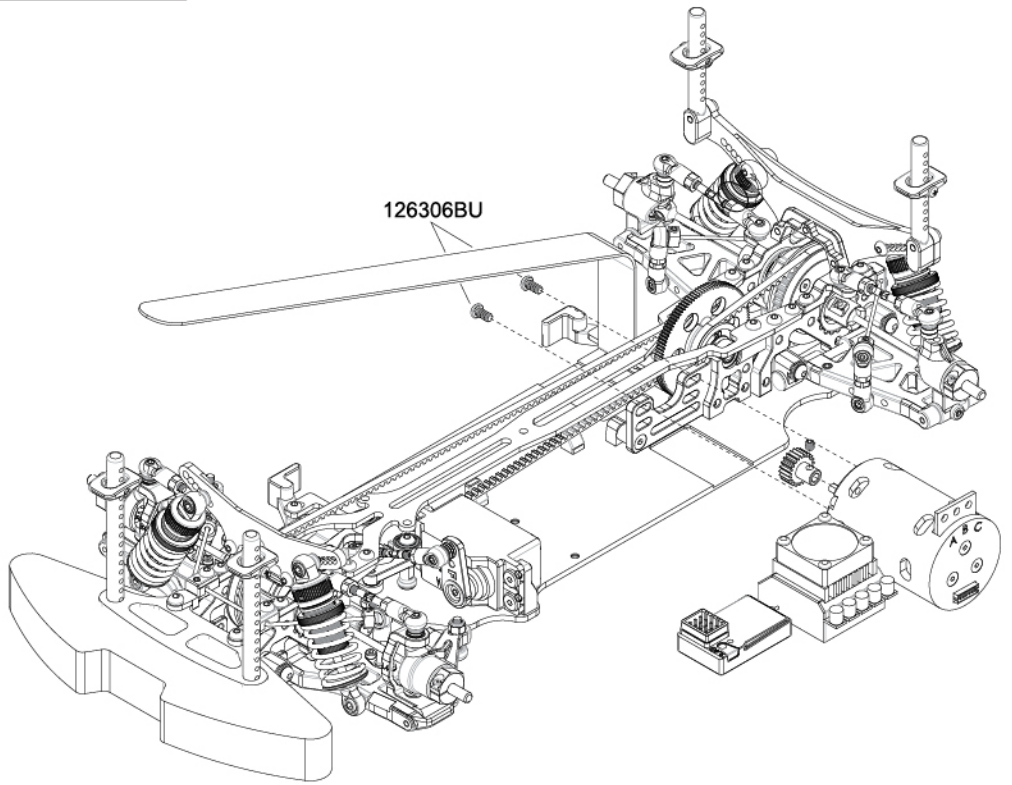




126306BU
3x6mm Steel Button
Head Screw

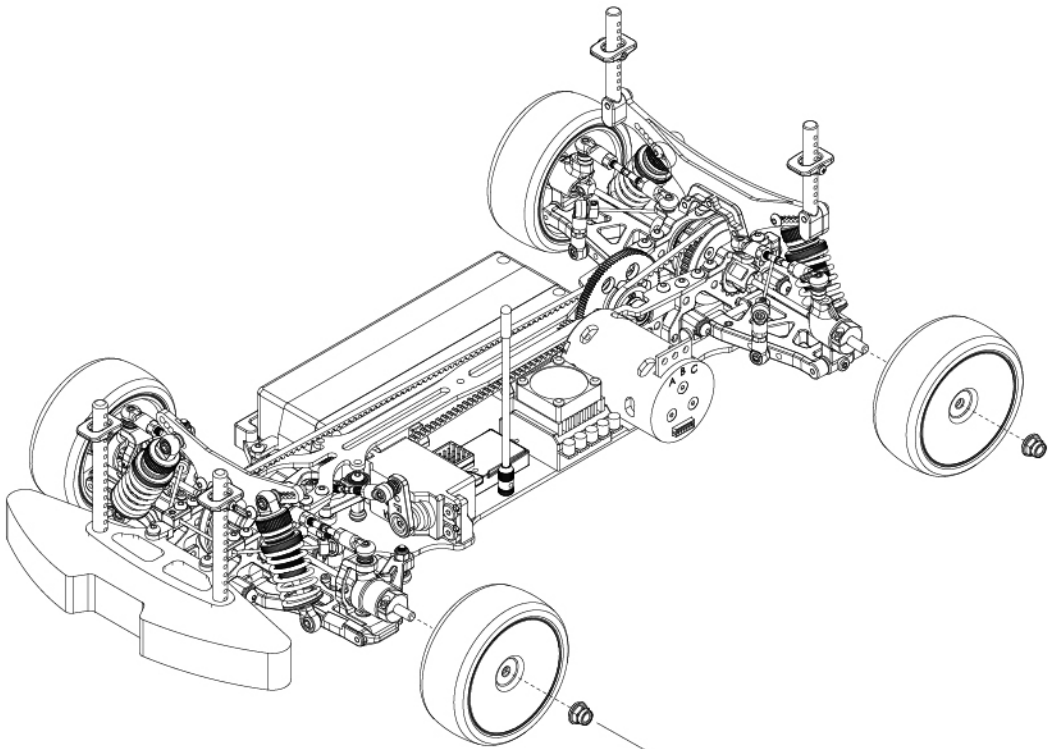
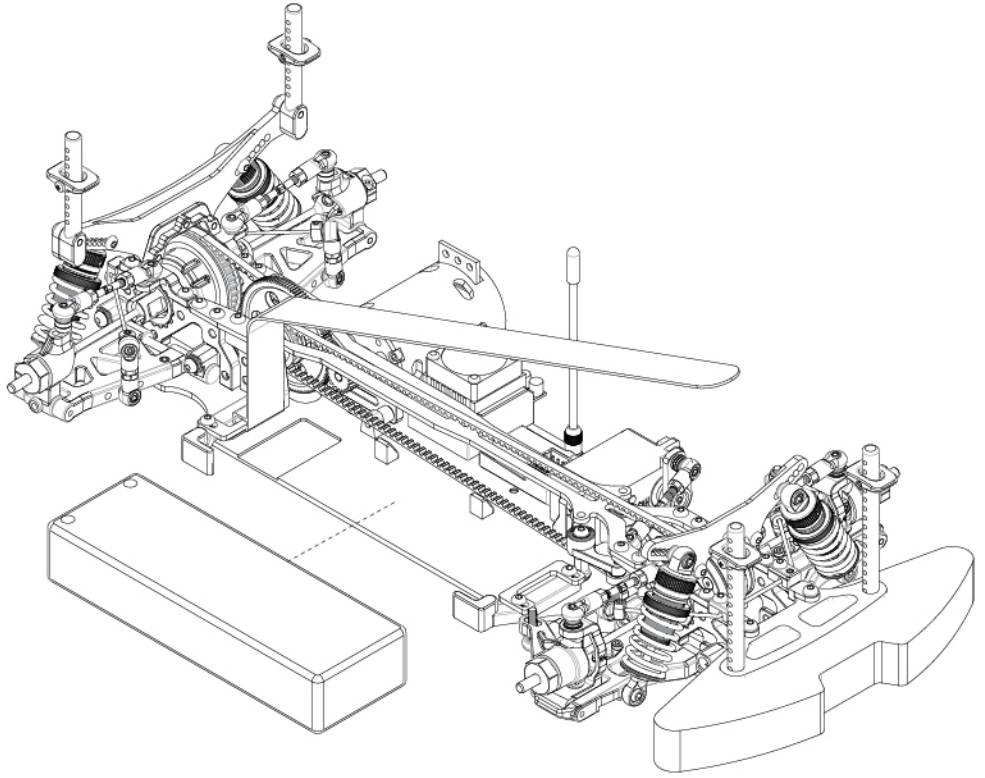


126306
3x6mm Steel FH
Screw





11046S
4mm Alum. Flanged
Lock Nut (Thin)
(4) SILVER



11046S

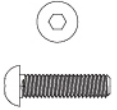
 **Stiff Setting**



130114
3X6X1mm Washer



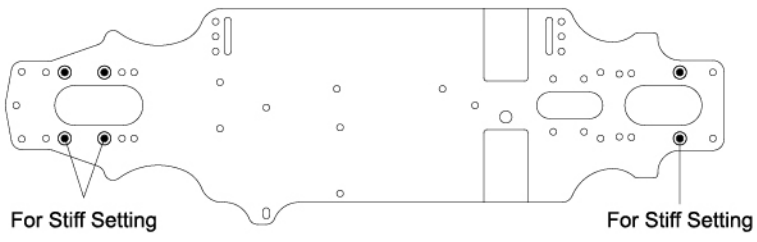
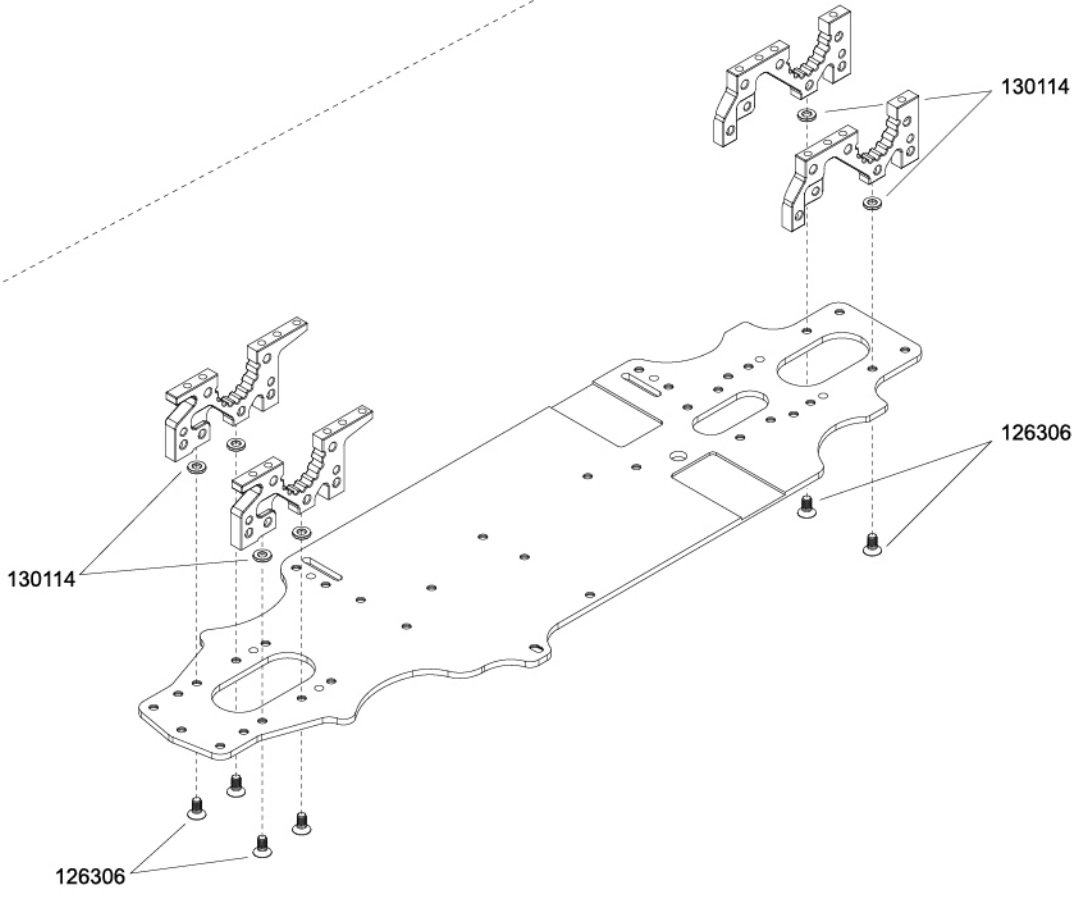
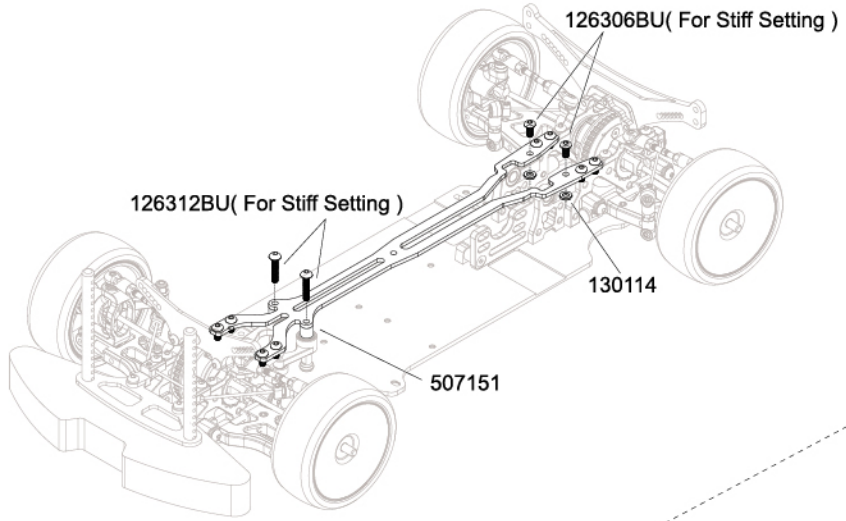
126306BU
3x6mm Steel Button
Head Screw



126312BU
3X12mm Steel Button
Head Screw



126306
3x6mm Steel FH
Screw



SETUP SHEET



TRACK CONDITIONS

Surface: Smooth Med. Bumpy
 Size: Open Med. Tight
 Traction: High Med. Low

Track Temp/Air Temp: _____° / _____°

Note: _____

FRONT SUSPENSION

Shim: **1.5** mm
 Track Width: **186** mm
 Anti-Roll Bar: \varnothing **1.4** mm
 Toe Angle: **+1**°

Shim: **1** mm
 Camber:
 Shim: **0** mm

▶ FRONT DIFF **50000** wt
 Ball Diff
 One Way
 Solid Axle
 Camber: **-2**°
 Ride Height: **5** mm
 Caster: _____
 Down Stop: **6** mm

Shim: **1** mm
 Shim: **1** mm

REAR SUSPENSION

Shim: **0** mm
 Track Width: **189** mm
 Anti-Roll Bar: \varnothing **1.2** mm
 Toe Angle: **-3**°

Shim: **4** mm
 Camber:
 Shim: **0** mm

Shim: **1.5** mm
 Camber: **-1.5**°
 Ride Height: **5.5** mm
 Down Stop: **5** mm

▶ REAR DIFF **1000** wt

Shim: _____ mm
 Shim: **2** mm
 Shim: **1** mm

ELECTRONICS

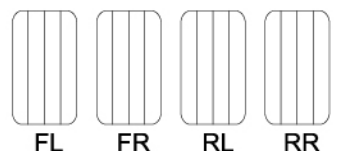
Servo: _____
 ESC: _____
 Battery: _____

▶ MOTOR
 Brand: _____
 Turns: _____
 Timing: _____

TIRES

Insert: _____
 Wheel: _____
 Shore/deg: _____
 Compound: _____
 Tire Temp: _____

Treated Area



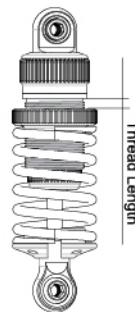
▶ BRUSHLESS
 Punch: _____
 Initial Brake: _____
 Auto Brake: _____

▶ DRIVE RATIO

SPUR **110** T
 PINION T X 1.9

= _____

SHOCKS



(K-factory) (K-factory)
 Hole Size: F **034** R **026**

Holes In Piston: F **2** R **2**

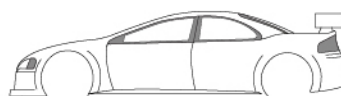
Oil wt: F **600** R **600**

Springs: F _____ R _____

Bladder Note: _____

Thread Length: F _____ R _____

BODY



Body: _____

Wing Height: _____

Wing Position: _____

PARTS	
Item No.	Item Description
507101	Chassis 2.3mm
507102	Alum. Rear Left Bulkhead
507103	Alum. Rear Right Bulkhead
507104	Alum. Front Bulkhead
507105	Alum. Main Shaft Right Bulkhead
507106	Alum. Motor Bulkhead
507107	Alum. Motor Bulkhead Support
507108	Alum. Steering Post (2)
507109	Alum. Spur Gear Holder
507110	20T Pulley (2)
507111	Alum. Diff. Joint (2)
507112	Diff. Case
507113	Bevel Gear Set (4)
507114	Diff. Case Gasket (4)
507115	Diff. Case O-ring (4)
507116	Belt Tension Adjuster (4)
507117	Gear Diff. Set
507118	Alum. Bearing Holder (2)
507119	Long Belt
507120	Short Belt
507121	Carbon Fiber Front Shock Tower
507122	Alum. Front Bulkhead Upper Mount
507123	Rear Body Support (2)
507124	Carbon Fiber Rear Shock Tower
507125	Alum. Rear Bulkhead Upper Mount
507126	Alum. Dual Steering Arm Set
507127	Front Suspension Arm (2)
507128	Front Suspension Pin (2)
507129	Suspension Arm Holder (2)
507130	Front Anti-roll Bar Rod (2)
507131	Alum. Bushing For Susp. Arm Holder (2)
507132	Rear Suspension Arm (2)
507133	Rear Suspension Pin (2)
507134	Alum. Caster Block Left (4 degree)
507135	Alum. Caster Block Right (4 degree)
507136	Bushing For Caster Block (2+2)
507137	Universal Driveshaft (2)
507137-1	Steel Drive Shaft Only (2)
507137-2	Steel Universal Joint Outdriver (2)
507137-3	Pivot for 507137 (2)
507138	Universal Driveshaft Plastic Pin Cover (8)
507139	Steering Block (2)
507140	Alum. Wheel Adapter (4)
507141	Caster Block Pin (2)
507142	Rear Hub Carrier (2)
507143	Rear Hub Carrier Pin (2)
507144	Front Anti-Roll Bar 1.4mm (2)
507145	Anti-Roll Bar Holder (4)
507146	Rear Anti-Roll Bar 1.2mm (2)
507147	Servo Arm (Futaba) (2)
507148	Servo Arm (Ko, Sanwa) (2)
507149	Alum. Servo Mount (2)
507150	Upper Plate 2.0mm
507151	Upper Plate Post (2)
507152	Quick Release Battery Strap
507153	Battery Holder Set
507154	Shock Absorber Set (2)
507155	Shock Piston 2 Holes (4)
507156	Shock Shaft (2)
507157	Shock Body Set (2)
507158	Shock Small O ring Set (4)
507158-1	Shock Hump Washer-Black (4)

Item No.	Item Description
507159	Shock Ball End & Nylon Set(4)
507160	Shock Pivot (4)
507161	Shock Membrane (4)
507162	Front Body Support (2)
507163	Sponge Bumper
507164	Bumper Mount Set
503117	5x4mm Ball Stud (6)
503121	5mm Ball Cup - Short (6)
503123	Alum. Anti-Roll Bar Ball (4)
503127	Steering Block 5x10mm Ball Stud (4)
503138	5x7mm Ball Stud (6)
503139	Caster Block Ball Cup (4)
503140	5mm Ball Cup - Long (6)
111007ST	3mm Steel Locknut (10)
111046S	4mm Alum. Flanged Lock Nut (Thin) (4) SILVER
111165	3mm Flanged Nut(10)
115033	5.8mm Hex Socket Steel Ball-Long Neck (6)
115034	5.8mm Hex Socket Steel Ball-Short Neck (6)
116132BK	3x20mm Adjustable Rod (2)-BK
116133BK	3x30mm Adjustable Rod (2)-BK
116134BK	3x40mm Adjustable Rod (2)-BK
116203	E-clip 5 (10)
116219	3x6x2mm Alum. Washer (6)
116226	3X4.8X0.5mm Washer (10)
116227	E-clip 2.0 (10)
116238	2x12.8mm Pin (10)
116239	1.5x6.8mm Pin (10)
116240	2x9.8mm Pin (10)
126208	2.6x8mm Steel Flat Head Screw(6)
126204BU	2x4mm Steel Button Head Screw (6)
126206C	2x6mm Cap Screw (6)
126212BU	2X12mm BH Screw(10)
126302S	3x2mm Set Screw (6)
126303S	3x3mm Set Screw (6)
126305BU	M3X5mm BH Screw(10)
126304S	3x4mm Set Screw (6)
126306	3x6mm Steel FH Screw (6)
126306BU	3x6mm Steel Button Head Screw (6)
126308	3x8mm Steel F.H. Screw (6)
126308S	M3X8mm Set(10)
126308SE	3x8mm Steel Flat Round Servo Mount Screw (6)
126308BU	3x8mm Steel Button Head Screw (6)
126310	3x10mm Steel F.H. Screw (6)
126310BU	3x10mm Button Head Screw (6)
126314BU	3x14mm Button Head Screw (6)
126316BU	M3X16mm BH Screw(10)
126408S	4x8mm Set Screw (6)
130103	4.2x10x0.2mm Shim (6)
130114	3X6X1mm Washer(10)
130123	2.6x8x0.1mm Washer (10)
130124	3x7.5x1.5mm Washer (10)
130125	3x6x4mm Alum. Washer (6)
130126	2.6X6X0.7mm Washer (10)
150306ST	3x6x2.5mm Steel Bearing(4)
150407ST	4x7x2.5mm Steel Bearing(4)
150508ST	5x8x2.5mm Steel Bearing(4)
150510ST	5x10x4mm Steel Bearing (4)
151015ST	10x15x4mm Steel Bearing (4)
152002	O-RING 11.2 x 1.7 (10)
152011	3.8x1.9 O-RING (10)
K4901-25	LX Touring Shock Spring 13x23.5mm #25
K4901-27	LX Touring Shock Spring 13x23.5mm #27
K6601-110	Special Precision 64P Spur Gear 110T